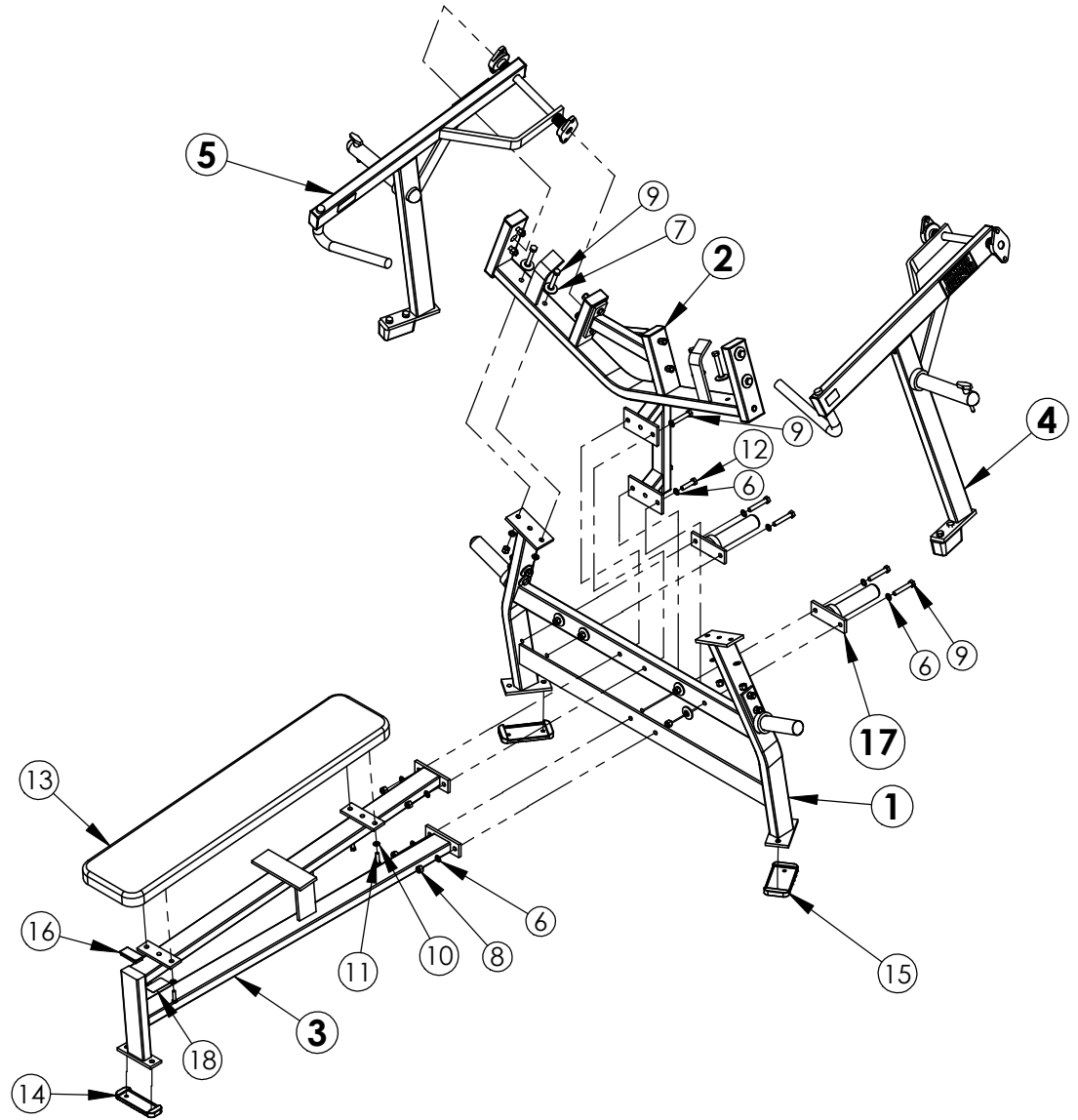


WEIGHT: 256LB
LENGTH: 66"
WIDTH: 61"
HEIGHT: 42"

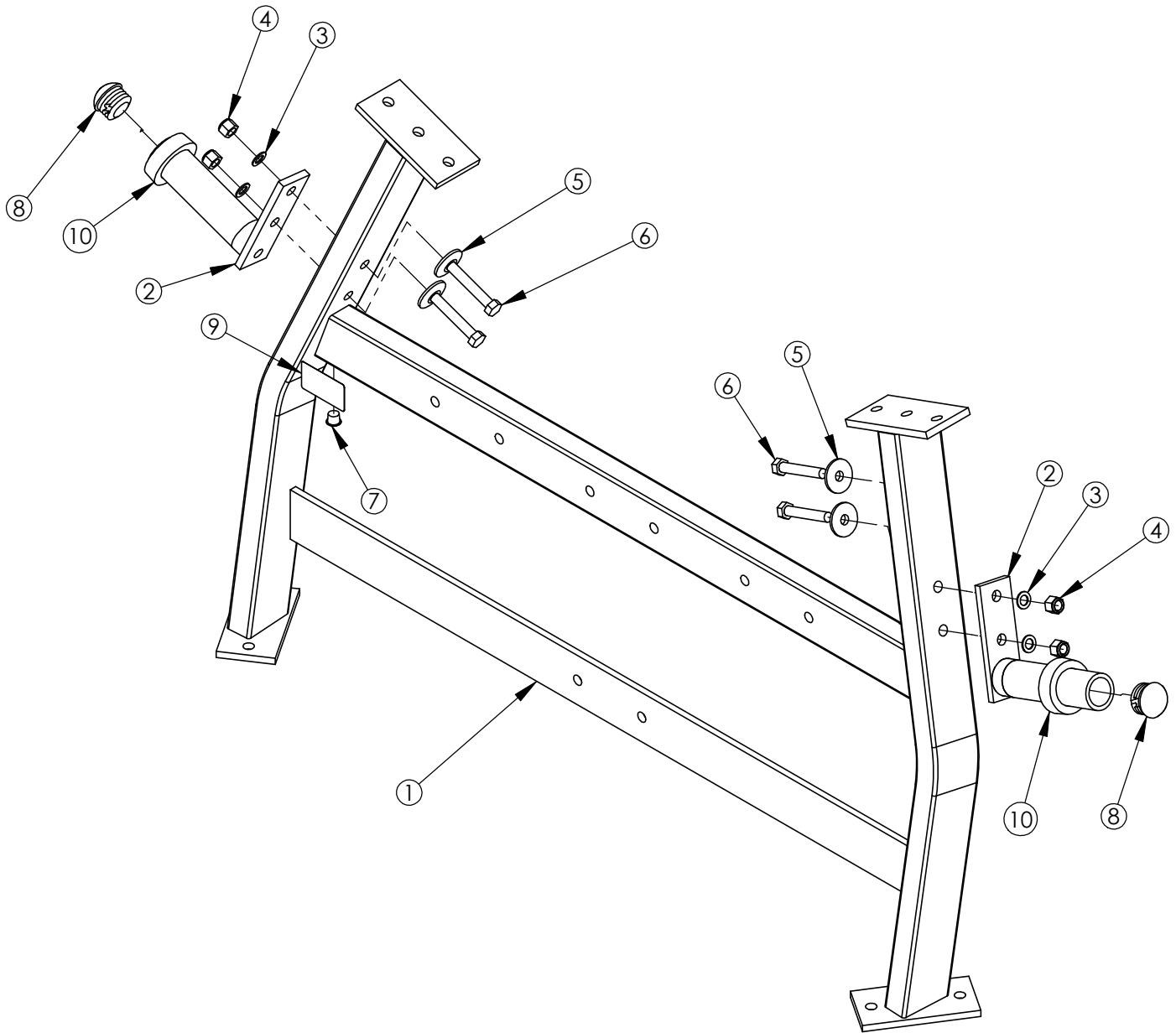
HAMMER STRENGTH EQUIPMENT ILHBP EXPLODED



ITEM NO.	QTY.	PART NO.	DESCRIPTION
1	1	ILHBP-CBX-2	ASSY, ILHBP, BX
2	1	ILHBP-CTX-0	ASSY, ILHBP, TOP FRAME
3	1	ILHBP-ST-0	WLDMT, ILHBP, SEAT FRAME
4	1	ILHBP-CMAL-2	ASSY, ILHBP, LEFT MARM
5	1	ILHBP-CMAR-2	ASSY, ILHBP, RIGHT MARM
6	16	WASH.5STAR	1/2" INTERNAL LOCK WASHER
7	8	H-BACK-WASH	BACKING WASHER
8	12	NUT.5LOCK	1/2 DIA THICK LOCK NUT
9	10	HHB.5X3	1/2 X 3 BOLT
10	4	WASH.375SAE	3/8" SAE FLAT WASHER
11	4	HHB.375X1.5	STEEL BOLT 3/8 X 1.5
12	2	HHB.5X2	1/2 X 2 BOLT
13	1	U-48-37H	BENCH PAD
14	1	MM-8	2 X 6 FLANGE RUBBER SLIPPER
15	2	MM-9	3 X 6 FLANGE RUBBER SLIPPER
16	1	RC1530-1Q1	CAP:1-1/2 X 3 RECTANGLE PLUG
17	2	H-HORN-ASSY	ASSY, WEIGHT HORN
18	1	SERIAL NUMBER	SERIAL NUMBER

HAMMER STRENGTH EQUIPMENT

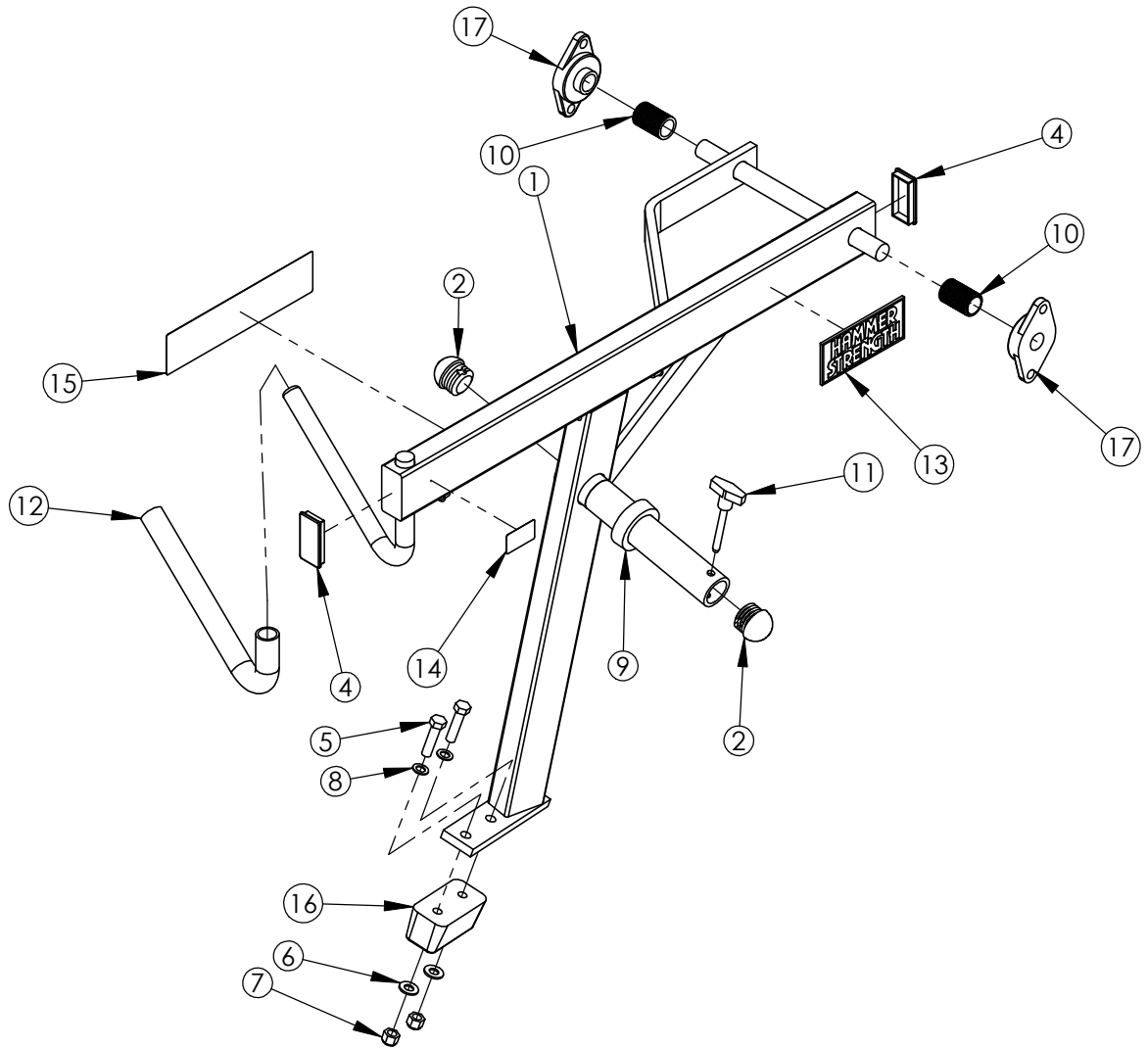
ILHBP-CBX-2, ASSY, ILHBP, BX



ITEM NO.	QTY.	PART NO.	DESCRIPTION
1	1	ILHBP-BX-0	WLDMT, ILHBP, BACK FRAME
2	2	ILHBP-ETC2-1	WLDMT, ILHBP, WEIGHT HORN
3	4	WASH.5STAR	1/2" INTERNAL LOCK WASHER
4	4	NUT.5LOCK	1/2 DIA THICK LOCK NUT
5	4	H-BACK-WASH	BACKING WASHER
6	4	HHB.5X3	1/2 X 3 BOLT
7	2	H-HPLUG (REG)	9/16IN HOLE PLUG
8	2	RUBCAP1	RUBBER MOVEMENT ARM CAP
9	1	8773701	PATENT DECAL
10	2	H-RUBRNG	MM5 RING

WEIGHT = 51LB
 L=59
 W=10.125
 H=31.5
 PAGE 3 OF 6

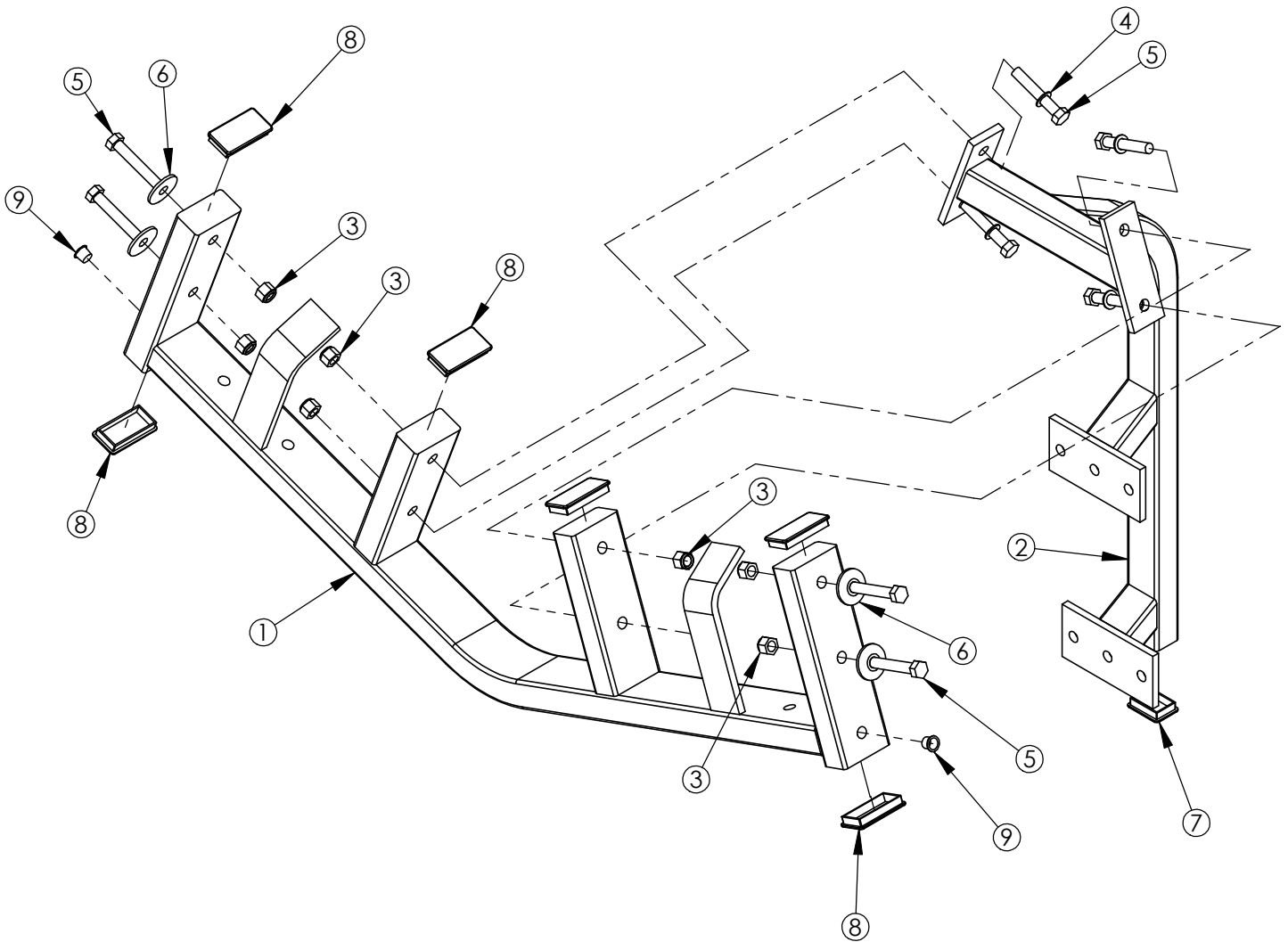
HAMMER STRENGTH EQUIPMENT
ILHBP-CMAL-2, ASSY, ILHBP, LEFT MARM



ITEM NO.	QTY.	PART NO.	DESCRIPTION
1	1	ILHBP-MAL-1	WLDMT, ILHBP, LEFT MOVEMENT ARM
2	2	RUBCAP1-2	RUBBER CAP #1
3	2	H-HPLUG (REG)	9/16IN HOLE PLUG
4	2	RC1530-1Q1	CAP:1-1/2 X 3 RECTANGLE PLUG
5	2	HHB.5X2	1/2 X 2 BOLT
6	2	WASH.5SAE	1/2" SAE FLAT WASHER
7	2	NUT.5LOCK	1/2 DIA THICK LOCK NUT
8	2	WASH.5STAR	1/2" INTERNAL LOCK WASHER
9	1	H-RUBRNG	MM5 RING
10	2	ACCORDIAN	SHAFT GUARD
11	1	SELECTOR PIN-3	SELECTOR PIN 3 IN.
12	1	H-GRIP	HANDLE GRIPS (.938X16)
13	1	H-NAME PLATE	NAMEPLATE (45156-P)
14	1	STAY CLEAR	STAY CLEAR DECAL
15	1	ISO HORIZONTAL BENCH PRESS	PRODUCT DECAL
16	1	H-BUMP-MED	MM2 MEDIUM
17	2	H-BEAR-SML	SMALL BEARING

WEIGHT = 41.7 LB
 LENGTH = 36"
 WIDTH = 21"
 HEIGHT = 35"

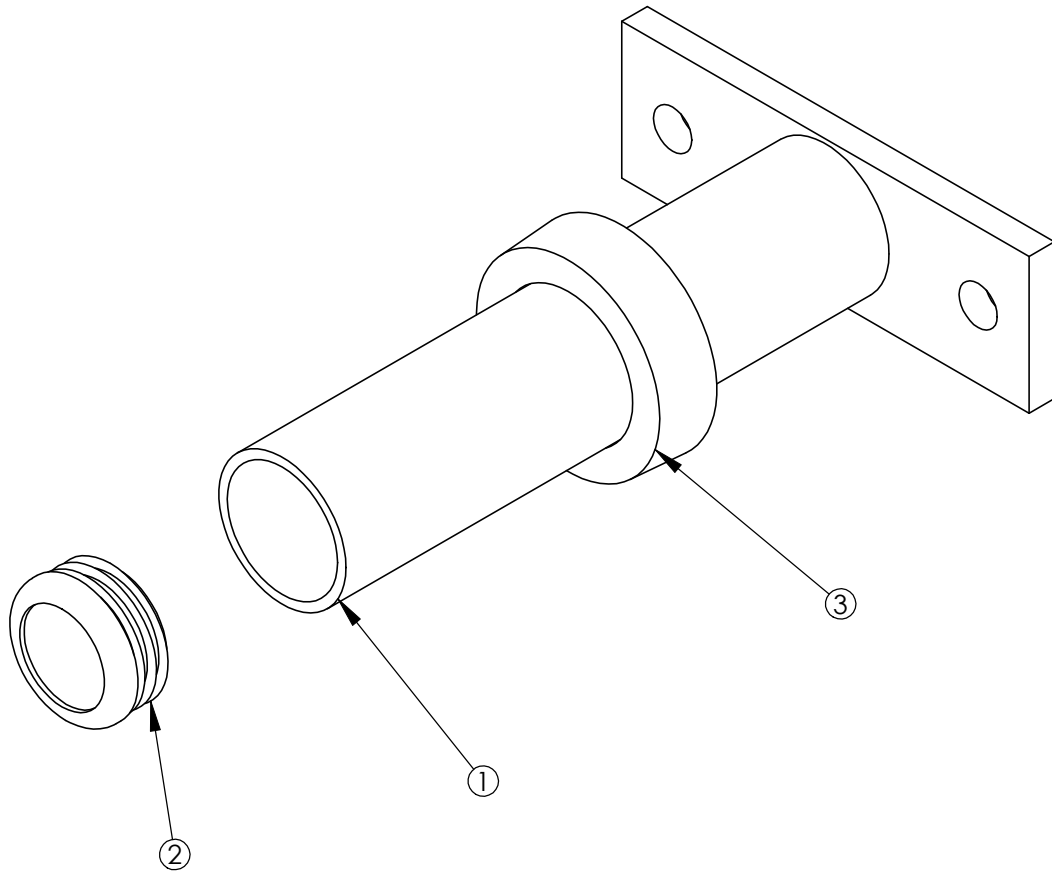
HAMMER STRENGTH EQUIPMENT
ILHBP-CTX-0, ASSY, ILHBP, TOP FRAME



ITEM NO.	QTY.	PART NO.	DESCRIPTION
1	1	ILHBP-TX-0	WLDMT, ILHBP, WORKBOX
2	1	ILHBP-MX-0	WLDMT, ILHBP, MIDDLE BRACE
3	8	NUT.5LOCK	1/2 DIA THICK LOCK NUT
4	4	WASH.5STAR	1/2" INTERNAL LOCK WASHER
5	8	HHB.5X3	1/2 X 3 BOLT
6	4	H-BACK-WASH	BACKING WASHER
7	1	RC1520-1Q1	CAP:1-1/2 X 2 RECTANGLE PLUG
8	6	RC1530-1Q1	CAP:1-1/2 X 3 RECTANGLE PLUG
9	2	H-HPLUG (REG)	9/16IN HOLE PLUG

WEIGHT = 44 1/2LB
 LENGTH = 48"
 WIDTH = 8 1/4"
 HEIGHT = 37 3/8"

HAMMER STRENGTH EQUIPMENT
H-HORN-ASSY: WEIGHT HORN ASSEMBLY



ITEM NO.	QTY.	PART NO.	DESCRIPTION
1	1	H-HORN	WLDMT, WEIGHT HORN
2	1	8078001	CAP, END 1.75 DIA RD 14-20 GA
3	1	H-RUBRNG	MM5 RING

WEIGHT = 3 1/4 lb
 LENGTH = 8 5/8"
 WIDTH = 6"
 HEIGHT = 3"